

Track Linear Light

# **ASIMO LIGHTING**



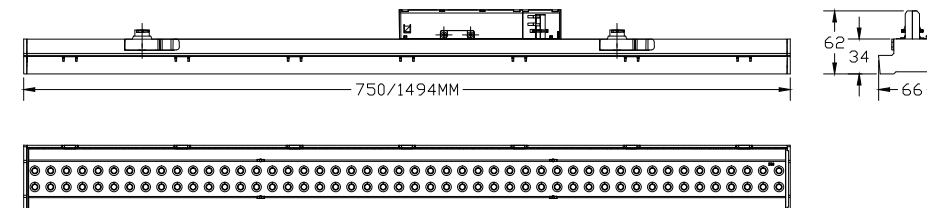
**DL66**

**160lm/w**

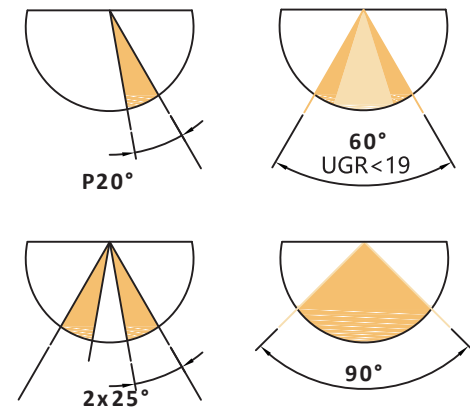


**PARAMETER**

Type	Power	Lumens	Size	CCT	CRI
DL6675	40W	6400lm	750x66x62mm	3000K 4000K 5700K	>80Ra
DL66150	50W	9000lm	1494x66x62mm		



**PHOTOMETRIC CURVE**



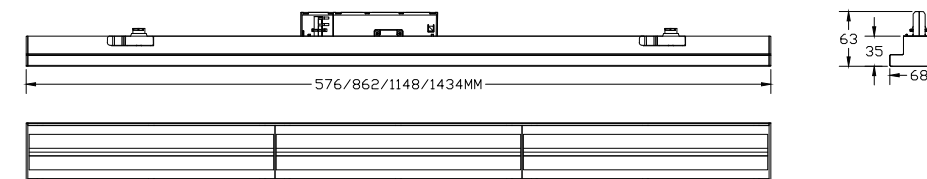
**DL68**

**160lm/w**

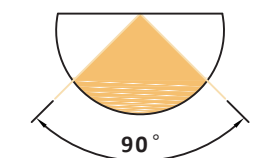


**PARAMETER**

Type	Power	Lumens	Size	CCT	CRI
DL6860	20W	3200lm	576x68x63mm	3000K 4000K 5700K	>80Ra
DL6890	30W	4800lm	862x68x63mm		
DL68120	40W	6400lm	1148x68x63mm		
DL68150	50W	9000lm	1434x68x63mm		



**PHOTOMETRIC CURVE**



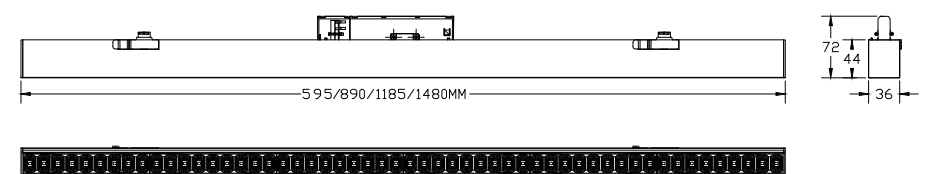
**DL36**

**UGR<16**

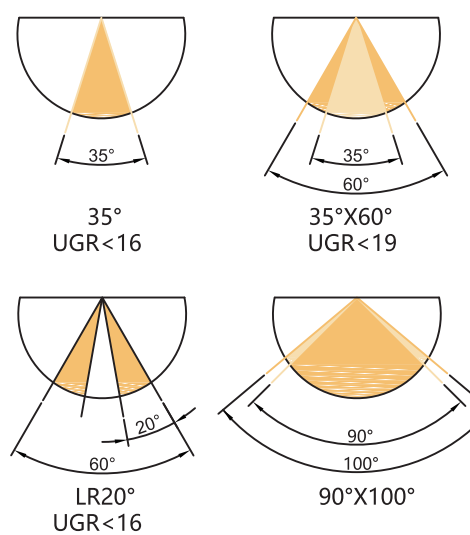


**PARAMETER**

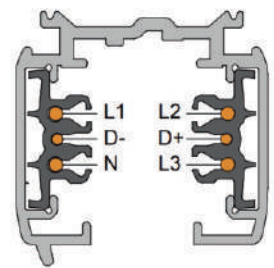
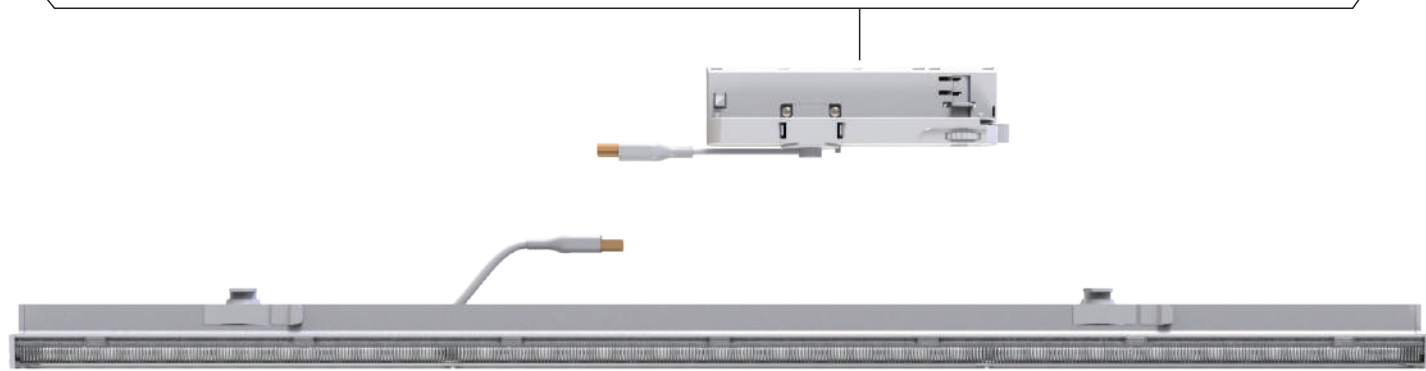
Type	Power	Lumens	Size	CCT	CRI
DL3660	20W	2200lm	595x36x72mm	3000K 4000K 5700K	>80Ra
DL3690	30W	3300lm	890x36x72mm		
DL36120	40W	4400lm	1185x36x72mm		
DL36150	50W	5500lm	1480x36x72mm		



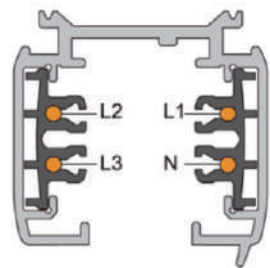
**PHOTOMETRIC CURVE**



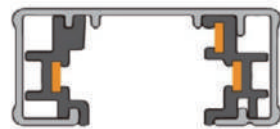
**OSRAM** **PHILIPS** **TRIDONIC** **EOKE** **KGP** **LIFUD**



European standard with DALI function -- 6 wires/ 3 phases + DALI



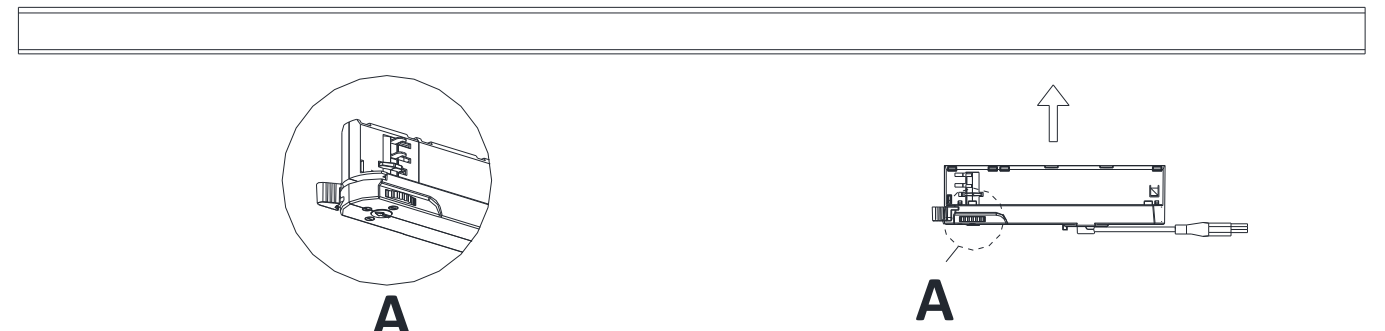
European standard -- 6 wires/ 3 phases



American standard -- 3 wires/ 1 phase

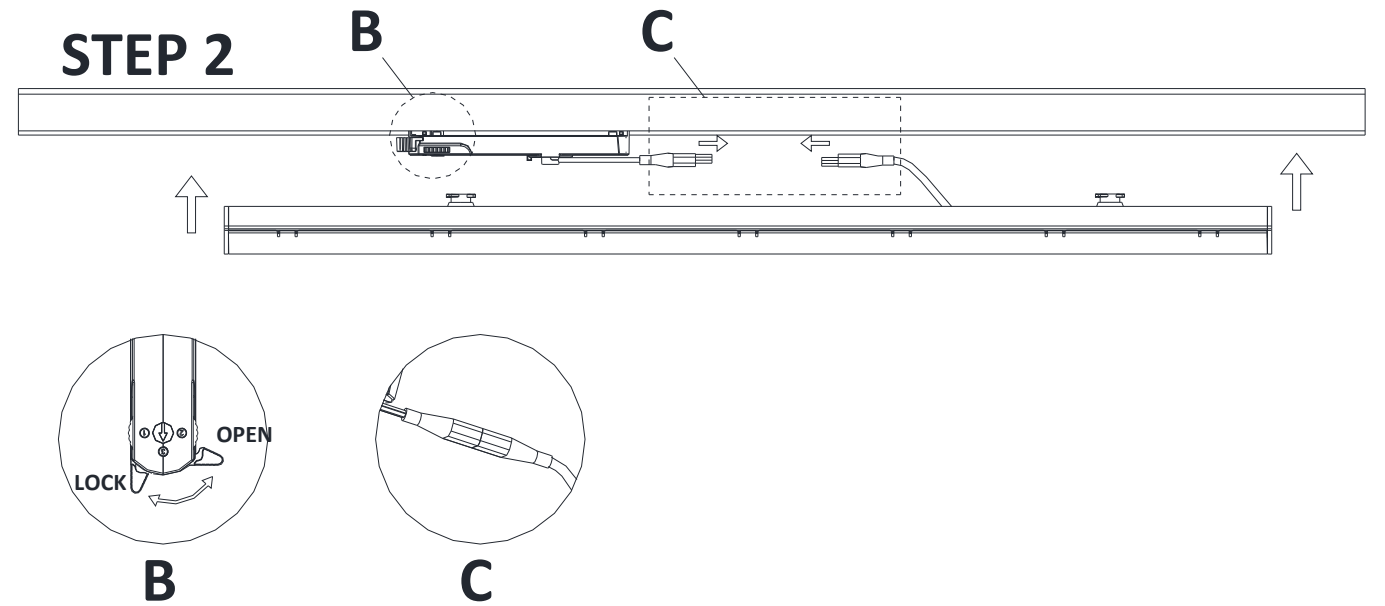


**STEP 1**



Choose the phase/circuit in the ③ phase selector switch

**STEP 2**



**STEP 3**

