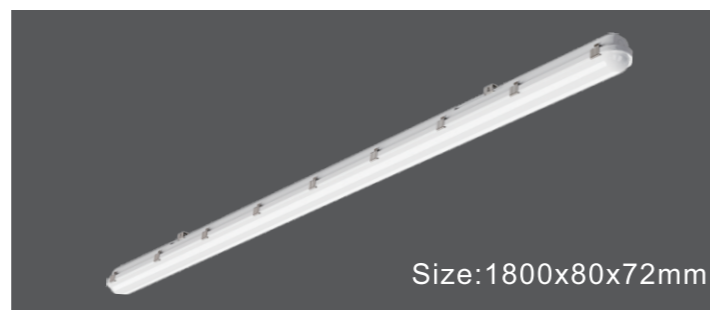
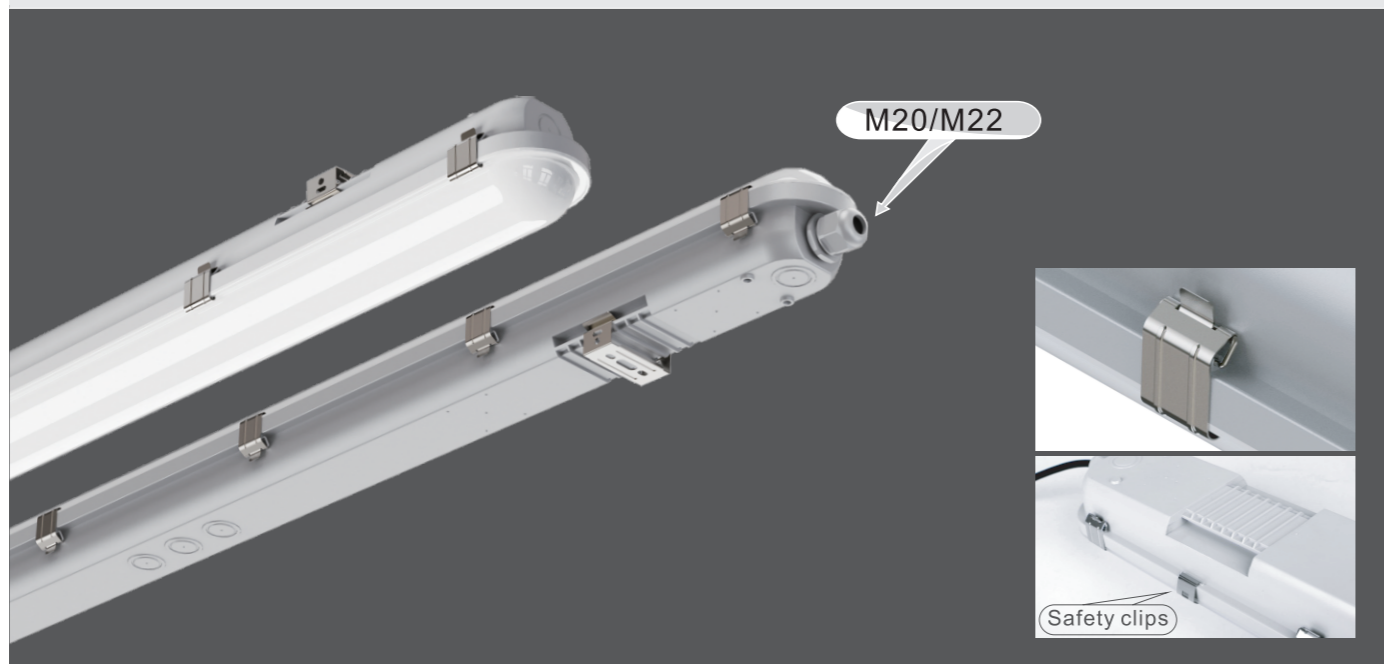
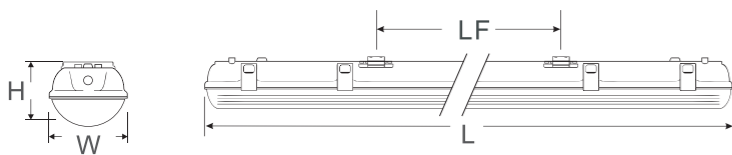


TRIPRO Series Triproof Light



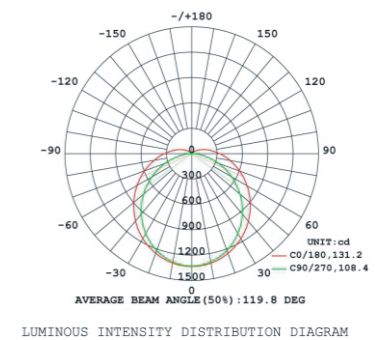
Dimension

Product Code	Dimensions(LxWxH)(mm)	Q'ty/ctn	Clips	LF(mm)	Inner Box(mm)	Outer Box(mm)	G.W./CTN	N.W./pcs
TRIPRO-0.6M	600x80x72	15	8	260-300	630*90*80	650*290*430	19kg	1kg
TRIPRO-1.2M	1200x80x72	9	12	800-860	1230*90*80	1250*290*260	15kg	1.4kg
TRIPRO-1.5M	1500x80x72	9	14	1080-1150	1530*90*80	1550*290*260	18kg	1.8kg
TRIPRO-1.8M	1800x80x72	6	18	980-1130	1830*90*80	1850*290*260	15kg	2.3kg



1 strips/SMD2835

- LED:120PCS 560x32MM-2835-10B12C
- LED:240PCS 1160x32MM-2835-20B12C
- LED : 360PCS 1460x32MM-2835-30B12C
- LED : 432PCS 1760x32MM-2835-36B12C



Optical/Electrical Data

Item	Symbol	L=600/2ft	L=1200/4ft	L=1500/5ft	L=1800/6ft
Product Code	/	TRIPRO-0.6M	TRIPRO-1.2M	TRIPRO-1.5M	TRIPRO-1.8M
Rated Power	W	20W	40W	50W	60W
LED Type/Qty	SMD2835	120pcs	240pcs	360pcs	432pcs
Luminous Flux(LM)	Clear	2200	4400	5500	6600
	Milky white	2000	4000	5000	6000
Power Factor	PF	PF>0.9			
Color Temperature	TC(K)	WW:3000-3500K, NW:4000-4500K, PW:5000-5500K, CW:6000-6500K			
Viewing Angle	Degree	120 degree			
Input Voltage	V	AC185-265V 50/60Hz			
IP Class	IP	IP65			
Temperature	°C	Operation:-20°C ~ +40°C Storage:-30°C ~ +60°C			
Life Time	h	50,000 hours			
Warranty	/	5 years			

